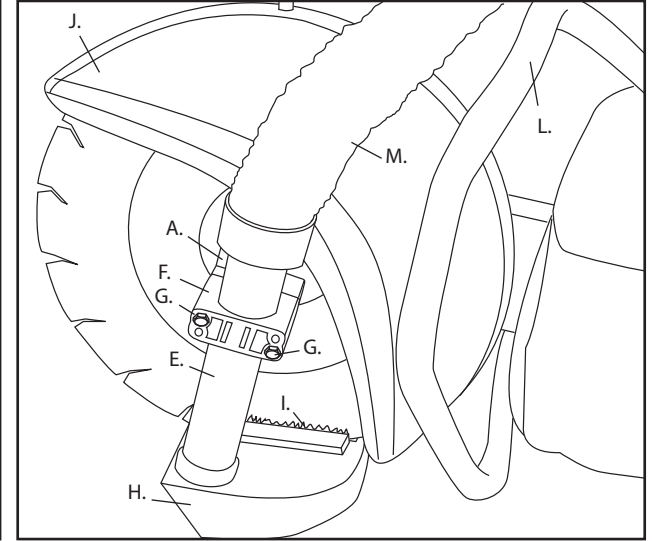
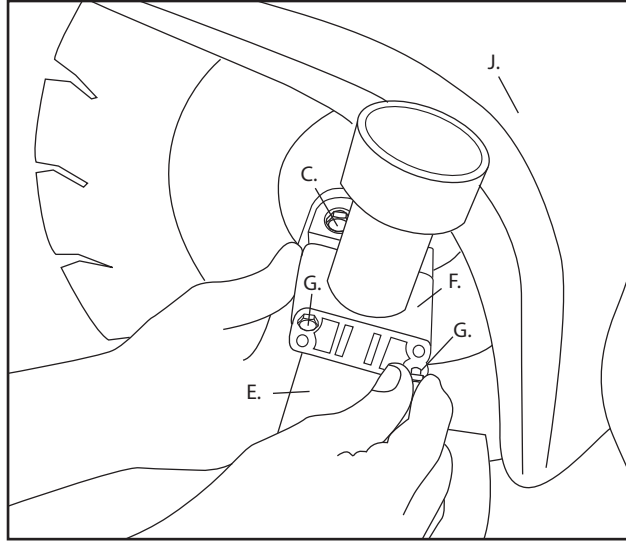
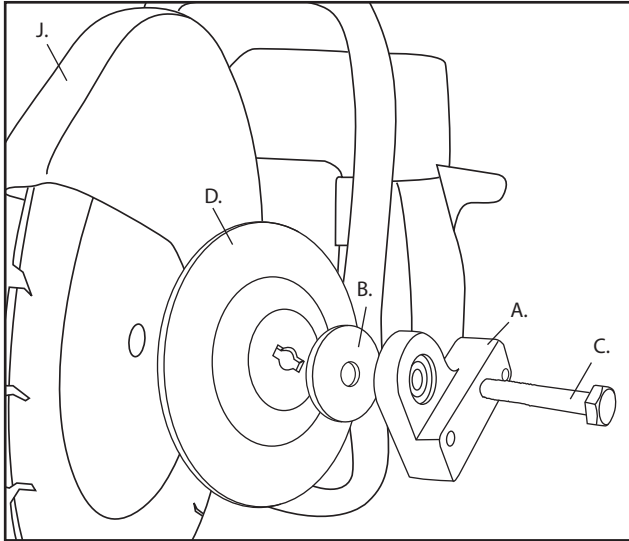


Instructions for mounting the Saw Muzzle™ GP



1. Remove the arbor bolt (C) from the saw. Save for when the saw is used without the Saw Muzzle™ GP.
2. Leave the 3" stabilizer washer (D) on the blade.
3. Remove the Saw Muzzle GP and the mounting clamp (F) from the bearing carrier (A) by removing the two 6mm mounting clamp bolts (G).
4. Insert the new arbor bolt (C) through the bearing carrier (A) and then through the spacer (B) so that the recessed side of the spacer faces the blade.
5. Attach the bearing carrier assembly to the saw with the arbor bolt (C) and tighten the new arbor bolt (C) to manufacturers specifications.
6. Slide the blade between the blade brushes (I) of the collection chamber (H).
7. Align the mounting clamp (F) on the vacuum pickup tube (E) making certain that the 6mm mounting clamp bolts (G) are going through the upper left and lower right holes of the mounting clamp .

8. Attach the mounting clamp (F) to the bearing carrier (A) making the bolts finger tight.
9. Adjust the vacuum pickup tube (E) up or down so that the blade almost touches the back of the collection chamber (H).
10. Tighten the mounting clamp bolts (G) evenly. Do not over-tighten.
11. Insert the vacuum hose (M) into the top of the vacuum pickup tube (E).
12. Use the releasable cable tie (K) to secure the vacuum hose (M) firmly to the upper grab rail (L) on the saw while leaving a loop of hose between the grab rail and the top of the vacuum pickup tube (E).
13. Rotate the blade guard (J) clockwise (when seen from the left side of the saw) so that the rear of the blade guard extends 1/4" to 1/2" past the muffler. This will prevent the Saw Muzzle from touching the muffler.

- A. Bearing carrier
- B. Spacer
- C. New arbor bolt
- D. Stabilizer washer
- E. Vacuum pickup tube
- F. Mounting clamp
- G. Mounting clamp bolts
- H. Collection chamber
- I. Blade brushes
- J. Blade guard
- K. Releasable cable tie
- L. Upper grab rail (of the saw)
- M. The vacuum hose (not supplied)

Notes:

The Saw Muzzle GP is most efficient when the saw is pulled toward the operator.

The Saw Muzzle GP requires a 2HP vacuum that uses a separate, disposable collection bag, has 120 CFM of airflow and at least 72 inches of water column.

The Saw Muzzle GP will allow approximately a 3 1/2" depth of cut when used with a 14" blade and the standard blade guard.

Removing a notch approximately 2" from the rear of the blade guard will allow the operator to attain a full 5" depth of cut.

You may call us for suggestions on reasonably priced vacuums that are compatible with the Saw Muzzle GP.

**DUST
COLLECTION**
PRODUCTS by Shave Away, Europe

837 Cornish Dr. San Diego, CA 92107

619-223-2154 fax: 619-223-9690

www.dustmuzzle.com